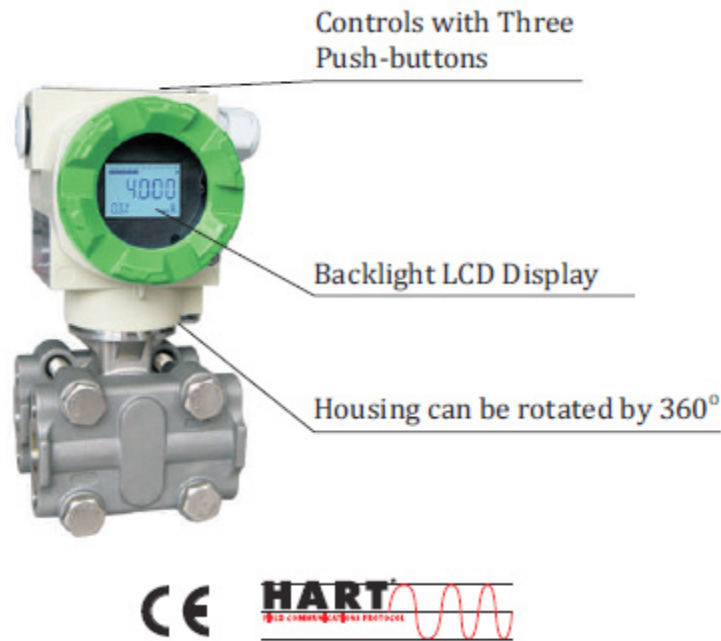


MUESEN

PRODUCT



Differential Pressure Transmitter HART® MSP80D



Characteristics

- ❑ Field Differential Pressure Transmitter MSP80D는 스테인리스 스틸 센서를 포함하여 액체, 가스, 증기 측정과 같은 다양한 방면에 사용됩니다.
- ❑ 측정 압력 범위 : From $-0.075...0.075$ pa
Up to $-70\text{bar}...70\text{bar}$
- ❑ Max. Turndown : 100:1
- ❑ LCD Display with backlight
- ❑ 360 ° 회전 가능한 Housing

Application

- 액체, 증기, 가스 측정에 적합
적정 사용 분야 : Process engineering, Chemical industry

Technical data

Measuring Range					
Code	Nominal Pressure	Measurement Limit		Overload	Min. Operating Pressure
		Lower(LRL)	Upper(URL)		
3S	7.5kPa	-7.5kPa	7.5kPa	13Mpa	0.12kPa
4S	40kPa	-40kPa	40kPa	13Mpa	0.04kPa
5S	200kPa	-200kPa	200kPa	13Mpa	2kPa
6S	700kPa	-700kPa	700kPa	13Mpa	7kPa
7S	2100kPa	-2100kPa	2100kPa	13Mpa	12kPa
8S	7000kPa	-7000kPa	7000kPa	125%	70kPa
Power supply (polarity protected)					
Supply voltage		10.5 ... 45 V DC			
Input					
2-wire-system		4...20mA with superimposed Signal for HART protocol digital communication			
Signal range - 4 to 20ma		3.8mA...20.8mA			
Signal on alarm		3.8mA / Option: 22.8mA / Others on request			

ALIA
MUESEN
SAGE
HYCONTROL
KONICS
WIKA
HBE
서진인스텍
서전발맥
KDI

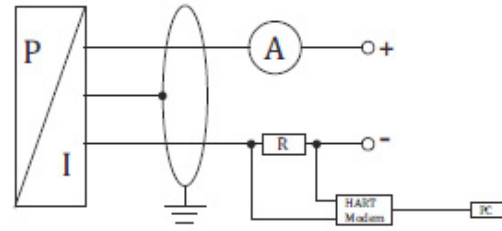
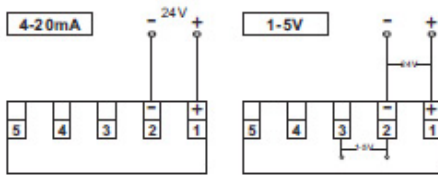
Pressure Transmitter
MSP80
MSP80D
MSP80L
MSP101P
Temperature Transmitter
MST 8 series
Head Transmitter
MST 1 series
MST 3 series
MST 5 series
MST 6 series
LED Display
LEDD-01
LEDD-02
Accessories
proHART-100
proUSB-100

Electrical protection	
Insulation resistance	>250M Ω , Pemanent
Reverse polarity protection	No damage & No function
Overvoltage protection	500V
Intrinsic safety	Ex ia CT4~T6
Performance	
Accuracy	3S 0,05% accuracy for range turndown 5:1
	4S...7S 0,05% accuracy for range turndown 10:1
	8S 0,05% accuracy for range turndown 10:1
Power supply effect	Negligible
Static pressure effect	<0,01%URL/g when 200Hz
Vibration effect	\pm 0,05% / 10K
Installation position effect	Zero: 0,1% / 7MPa; Span: 0,2% / 7MPa
Thermal effect	Offset can be set to zero
Static pressure	0,1% URL / year
Stability	5s
Cycle time / Updater time	0 to 100s, in 0,1s-step
Switch on delay	\leq 200ms (without consideration of electronic damping)
Damping	0 to 2%
Response time	0 to 160 μ A
Self stability configuration	30bar...130bar
Filter configured	0,25s
Environment	
Humidity	5 ... 98 %
Ambient and operation	-40 to +85 $^{\circ}$ C (without Display)
	-20 to +70 $^{\circ}$ C (with Display)
Storage temperature	-40 to +85 $^{\circ}$ C
Ingress protection	IP65
Electromagnetic Compatibility (EMC)	Interference immunity and interference emission according to IEC 61326-1 : 2006
Physical Specification	
Diaphragms	Stainless steel 316L, Others on request
Flange	Stainless steel 316L
Drain / Vent valve	Stainless steel 316L
Media wetted o-rings	FKM, others on request
Electronic housing	Die-cast aluminum
Flange screws, identification plate	Carbon steel with Zinc coating
Mounting brackets (Option)	Carbon steel with Zinc coating or with painting
Sight glass	Laminated safety glass
Filling fluid	Silicon oil / Others on request
Others	
Display	Visible range 32,5 x 22,5mm; 5-digit 7-segment
	Main display, digit height 8mm, 8-digit 14
	Segment additional display, digit height 5mm;
	52 bar meter with 2% resolution
Display range	-19999 ~ 99999
Weight	Standard model approx. 3,8kg

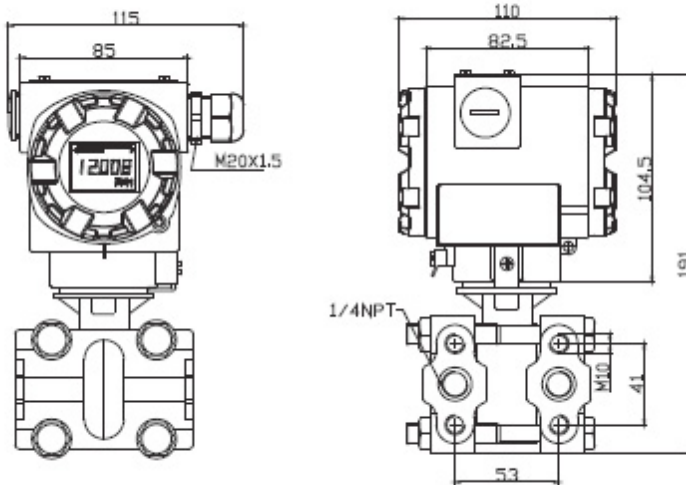
ALIA
MUESEN
SAGE
HYCONTROL
KONICS
WIKA
HBE
서진인스텍
서전발맥
KDI

Pressure Transmitter
MSP80
MSP80D
MSP80L
MSP101P
Temperature Transmitter
MST 8 series
Head Transmitter
MST 1 series
MST 3 series
MST 5 series
MST 6 series
LED Display
LEDD-01
LEDD-02
Accessories
proHART-100
proUSB-100

Electrical Connection

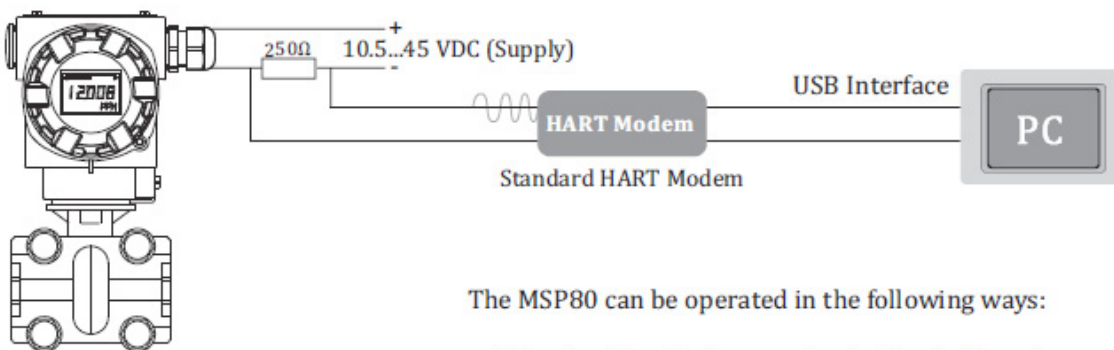


Dimensions



Dimensions in mm

Operation



The MSP80 can be operated in the following ways:

- Using the three buttons on device for setting of parameters.
- Operating remotely using the HART®-protocol.
e.g. via HART Modem and PC-Software or via a HART Handheld.

ALIA
MUESEN
SAGE
HYCONTROL
KONICS
WIKA
HBE
서진인스텍
서전발맥
KDI

Pressure Transmitter
MSP80
MSP80D
MSP80L
MSP101P
Temperature Transmitter
MST 8 series
Head Transmitter
MST 1 series
MST 3 series
MST 5 series
MST 6 series
LED Display
LEDD-01
LEDD-02
Accessories
proHART-100
proUSB-100

Ordering Code

Type	MSP80D																					
Communication type																						
	HART	H																				
Mears. Ranges [bar]																						
	-0.075...0.075	3	S																			
	-0.4...0.4	4	S																			
	-2...2	5	S																			
	-7...7	6	S																			
	-21...21	7	S																			
	-70...70	8	S																			
	Others on request	9	9																			
Fill Fluid																						
	Silicone oil, standard cleaning	0	1																			
	Silicone oil, degrease cleaning	0	2																			
	Fluorocarbonoil, degrease cleaning	0	3																			
Process connection																						
	None, 1/4 NPT female on the voer flanges	1	0																			
	1/2-14, female, two electrical connections	1	1																			
	Others on request	9	9																			
Seal																						
	FPM							0	1													
	Others on request							9	9													
Wetted Parts Material																						
	SUS316 SST with SUS316 SST Isolating diaphragm							0	1													
	SUS316 SST with Hastelloy C276 Isolating diaphragm							0	2													
	Hastelloy C276 with Hastelloy C276 Isolating diaphragm							0	3													
Electrical connection																						
	M20X1,5 DIN									0	1											
	Others on request									9	9											
Mounting bracket																						
	Horizontal bracket																			H		
	Vertical bracket																			V		
	None																			O		
LCD Display																						
	None																			N		
	With Display																			D		
Signal on alarm																						
	Factory preset 3.8 or 22.8mA																			0	0	
	Others on request																			9	9	
Other Options																						
																					9	9

Typical model number: MSP80D-H-3S-01-10-01-01-01-OD-00

ALIA
MUESEN
SAGE
HYCONTROL
KONICS
WIKA
HBE
서진인스텍
서전발맥
KDI
Pressure Transmitter
MSP80
MSP80D
MSP80L
MSP101P
Temperature Transmitter
MST 8 series
Head Transmitter
MST 1 series
MST 3 series
MST 5 series
MST 6 series
LED Display
LEDD-01
LEDD-02
Accessories
proHART-100
proUSB-100